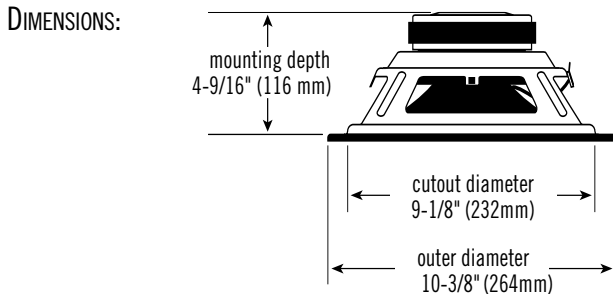


Infinity *Reference 1040w 10" Woofer – Technical Data*

CAR AUDIO

SPECIFICATIONS

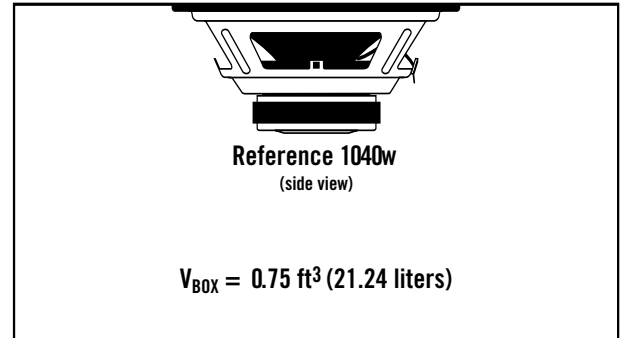
DIAMETER:	10" (250mm)
SENSITIVITY (2.83 V @ 1 m):	91 dB
POWER HANDLING:	250 W _{RMS} 1000 W _{PEAK}
FREQUENCY RESPONSE:	25 ~ 400 Hz
NOMINAL IMPEDANCE:	4 OHMS
VOICE-COIL DIAMETER:	2.0" (51.0 mm)



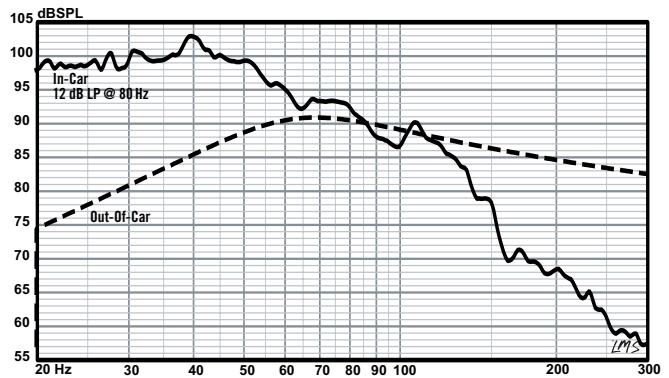
THIELE-SMALL PARAMETERS

VOICE COIL DC RESISTANCE:	R_{EVC} (OHMS)	3.50
VOICE COIL INDUCTANCE @ 1 kHz:	L_{EVC} (MH)	2.73
DRIVER RADIATING AREA:	S_D (IN ²)	55.03
	S_D (M ²)	355.00
MOTOR FORCE FACTOR:	BL (TM)	13.93
COMPLIANCE VOLUME:	V_{AS} (FT ³)	1.34
	V_{AS} (LITERS)	37.98
SUSPENSION COMPLIANCE:	C_{MS} (μM/N)	211.00
MOVING MASS, AIR LOAD:	M_{MS} (GRAMS)	142.70
MOVING MASS, DIAPHRAGM:	M_{MD} (GRAMS)	138.90
FREE-AIR RESONANCE:	F_S (Hz)	29.00
MECHANICAL Q:	Q_{MS}	7.36
ELECTRICAL Q:	Q_{ES}	0.47
TOTAL Q:	Q_{TS}	0.44
MAGNETIC-GAP HEIGHT:	H_{AG} (IN)	3/8
	H_{AG} (MM)	9.00
VOICE-COIL HEIGHT:	H_{VC} (IN)	1-1/4
	H_{VC} (MM)	32
MAXIMUM EXCURSION:	X_{MAX} (IN)	7/16
	X_{MAX} (MM)	11.50

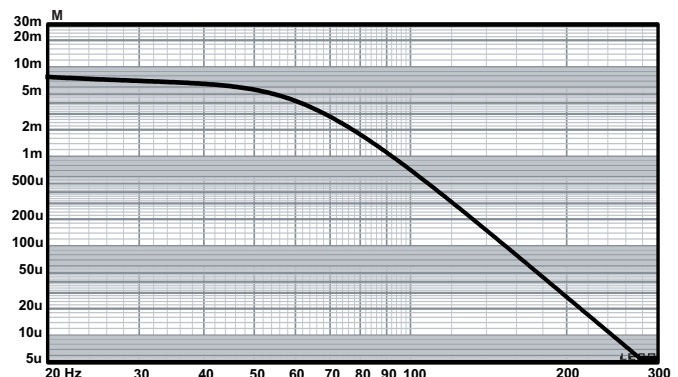
SEALED BOX VOLUME (INCLUDES DRIVER DISPLACEMENT)



SEALED ENCLOSURE FREQUENCY RESPONSE @ 2.83 V



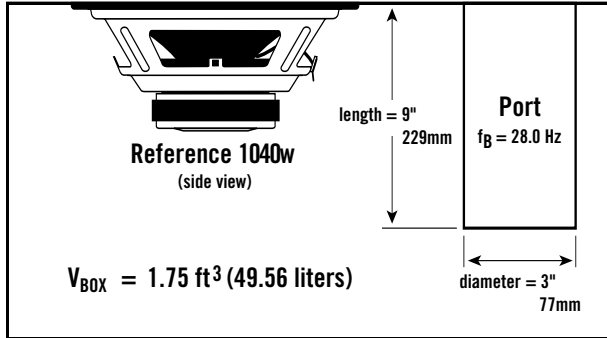
SEALED ENCLOSURE CONE EXCURSION @ 250 W



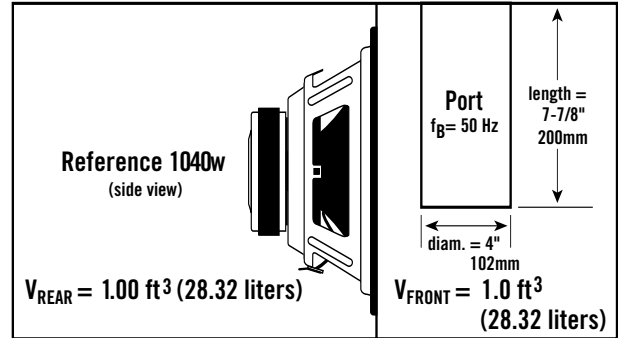
Infinity *Reference 1040w 10" Woofer – Technical Data*

CAR AUDIO

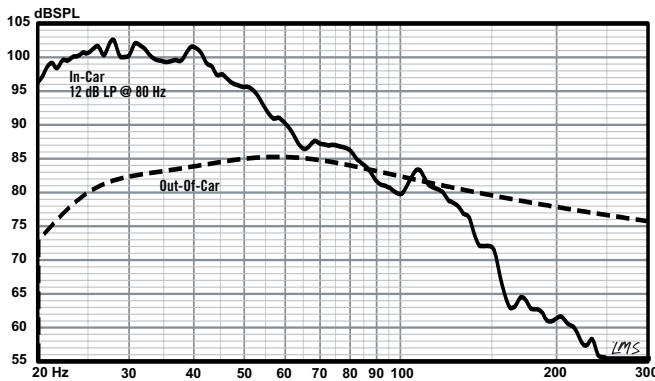
VENTED BOX VOLUME (INCLUDES DRIVER/PORT DISPLACEMENTS)



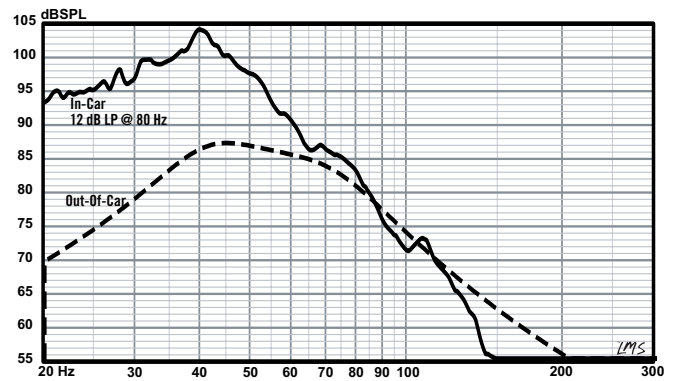
BANDPASS BOX VOLUME (INCLUDES DRIVER/PORT DISPLACEMENTS)



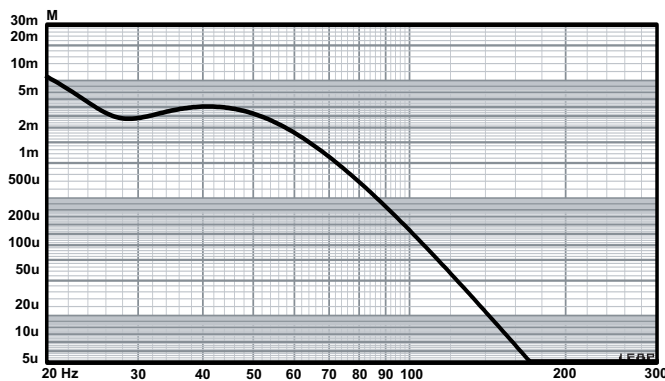
VENTED ENCLOSURE FREQUENCY RESPONSE @ 2.83 V



BANDPASS ENCLOSURE FREQUENCY RESPONSE @ 2.83 V



VENTED ENCLOSURE CONE EXCURSION @ 250 W



BANDPASS ENCLOSURE CONE EXCURSION @ 250 W

